



(12) **United States Design Patent**
Swanger

(10) **Patent No.:** **US D862,181 S**
(45) **Date of Patent:** **** *Oct. 8, 2019**

(54) **INVERTIBLE MULTIFUNCTION SHOVEL**

(71) Applicant: **Shane Swanger**, Eagle Mountain, UT (US)

(72) Inventor: **Shane Swanger**, Eagle Mountain, UT (US)

(*) Notice: This patent is subject to a terminal disclaimer.

(**) Term: **15 Years**

(21) Appl. No.: **29/610,039**

(22) Filed: **Jul. 8, 2017**

(51) **LOC (12) Cl.** **08-01**

(52) **U.S. Cl.**
USPC **D8/10; D8/7**

(58) **Field of Classification Search**
USPC D15/11, 17, 28, 32; D8/10, 7
CPC A01B 1/00; A01B 1/02; A01B 1/04; A01B 1/022; A01D 9/00; E01H 5/02
See application file for complete search history.

(56) **References Cited**

U.S. PATENT DOCUMENTS

1,202,791 A *	10/1916	Brownstein	E01H 5/02 172/375
4,245,411 A *	1/1981	McMath	E01H 5/02 294/176
4,722,512 A *	2/1988	Lighthizer	A01B 1/028 254/131.5
D298,906 S *	12/1988	Bonnes	D8/10
4,865,372 A *	9/1989	Gabriel	A01B 1/00 294/49
D328,553 S *	8/1992	Norton	D8/10
D329,176 S *	9/1992	Norton	D8/10
D333,074 S *	2/1993	Ciccarelli	D8/10
D334,515 S *	4/1993	Libra	D8/10
D361,482 S *	8/1995	Fugal	D8/10

5,511,327 A *	4/1996	Jurkowski	E01H 5/02 294/54.5
5,511,328 A *	4/1996	Fingerer	E01H 5/02 294/54.5
5,791,072 A *	8/1998	Schbot	E01H 5/02 294/57
D401,126 S *	11/1998	Sroufe	D8/10
D405,665 S *	2/1999	Whitehead	D8/10
D409,885 S *	5/1999	McKenzie	D8/10
D411,420 S *	6/1999	Rose	D8/10
6,029,998 A *	2/2000	Woodard	A63C 11/22 280/819
D459,641 S *	7/2002	Guneyasu	D8/10
D563,182 S *	3/2008	Kopp	D8/10
D564,846 S *	3/2008	Kopp	D8/10
D568,121 S *	5/2008	Meyer	D8/10
D586,192 S *	2/2009	Chesness	D8/10

(Continued)

Primary Examiner — Mark A Goodwin

(74) Attorney, Agent, or Firm — Steven Rinehart

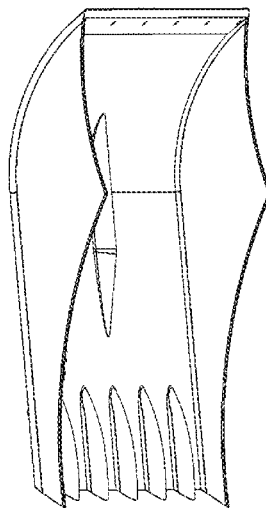
(57) **CLAIM**

The ornamental design for an invertible multifunction shovel, as shown and described.

DESCRIPTION

FIG. 1 is a forward perspective view of an invertible multifunction shovel in accordance with the present invention;
 FIG. 2 is a side forward perspective view of an invertible multifunction shovel in accordance with the present invention;
 FIG. 3 is a top perspective view of an invertible multifunction shovel in accordance with the present invention;
 FIG. 4 is a lower perspective view of an invertible multifunction shovel in accordance with the present invention; and,
 FIG. 5 is a rearward perspective view of an invertible multifunction shovel in accordance with the present invention.

1 Claim, 5 Drawing Sheets



(56)

References Cited

U.S. PATENT DOCUMENTS

D626,388	S *	11/2010	Greenly	D8/10
D637,875	S *	5/2011	Gehman	D8/10
D651,488	S *	1/2012	Gehman	D8/10
D656,162	S *	3/2012	Wiik	D15/11
D667,283	S *	9/2012	Blouin	D8/10
8,256,809	B2 *	9/2012	Coutu	A01B 1/20 294/49
D676,723	S *	2/2013	Norwood	D8/10
D699,530	S *	2/2014	Hung	D8/10
D703,013	S *	4/2014	Firth	D8/1
D708,495	S *	7/2014	Stein	D8/10
D718,792	S *	12/2014	Lapham	D15/11
8,960,744	B2 *	2/2015	Swanger	E01H 5/02 294/53.5
D800,520	S *	10/2017	Pieper-Bailey	E01H 5/02 D8/10
D809,353	S *	2/2018	Blouin	D8/10

* cited by examiner

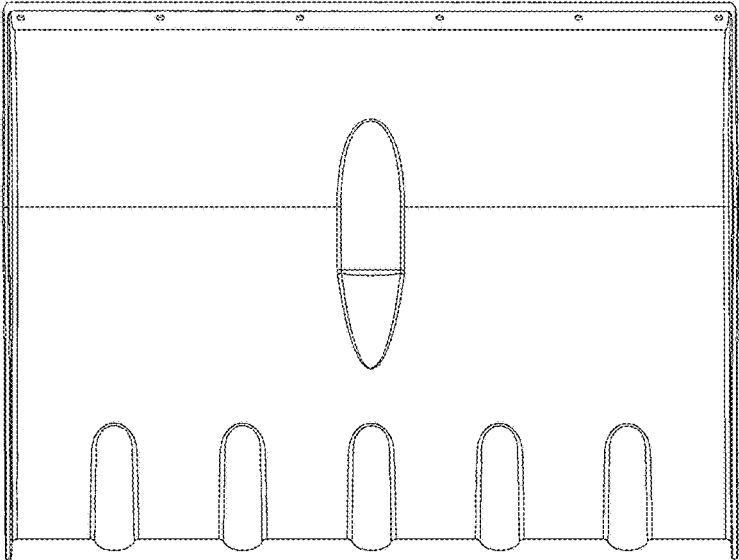


FIG. 1

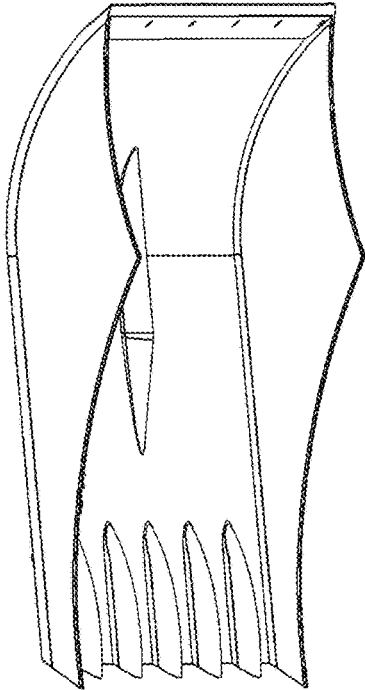


FIG. 2

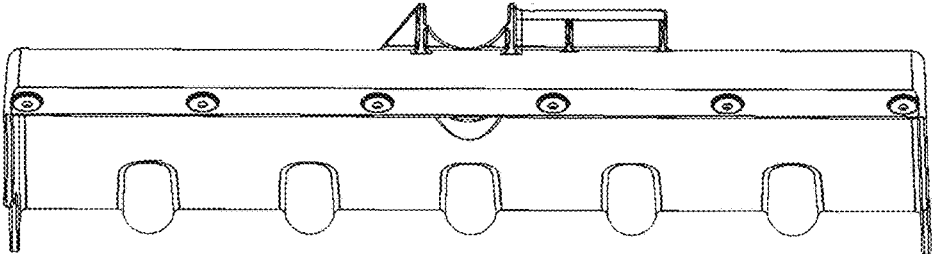


FIG. 3

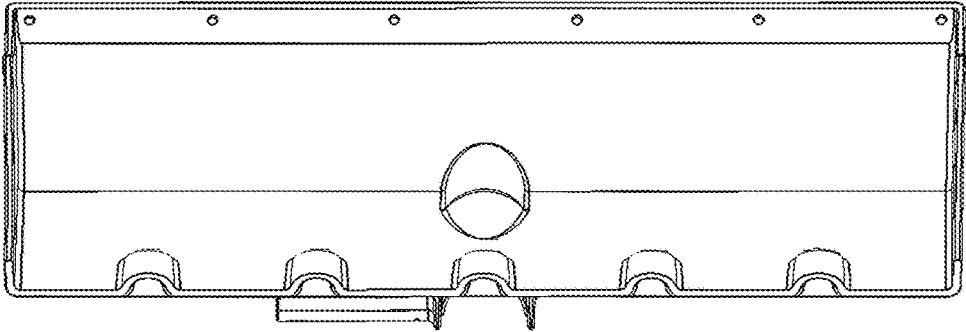


FIG. 4

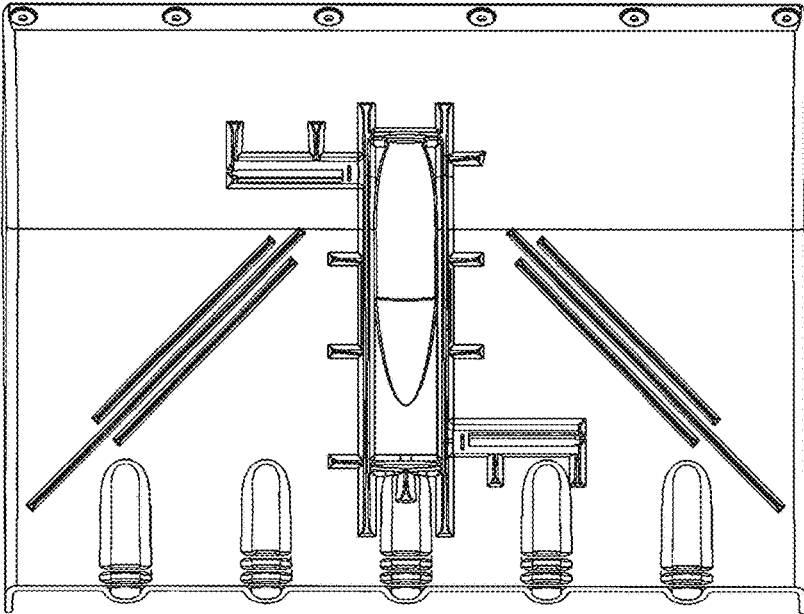


FIG. 5