



US00D913149S

(12) **United States Design Patent**
Fox

(10) **Patent No.:** **US D913,149 S**
(45) **Date of Patent:** **** Mar. 16, 2021**

- (54) **PLANTER**
- (71) Applicant: **Dencell Sinclair Fox**, Boulder, CO (US)
- (72) Inventor: **Dencell Sinclair Fox**, Boulder, CO (US)
- (**) Term: **15 Years**
- (21) Appl. No.: **29/704,427**
- (22) Filed: **Sep. 4, 2019**
- (51) **LOC (13) Cl.** **11-02**
- (52) **U.S. Cl.**
USPC **D11/148**
- (58) **Field of Classification Search**
USPC D11/143-156, 164; D3/304, 306, 312; D6/403, 404, 405, 556, 557, 558; D8/1; D7/584, 587, 604, 606
CPC : A01G 9/00; A01G 9/02; A01G 9/021; A01G 9/022; A01G 9/027; A01G 9/029; A01G 9/085; A01G 9/122; A01G 31/02; A01G 31/06; A01G 5/04; A47G 7/00; A47G 7/02; A47G 7/03; A47G 7/06; A47G 7/08
See application file for complete search history.

3,116,770	A *	1/1964	Tanuma	B26D 3/26
					30/114
3,211,195	A *	10/1965	Porter	B67C 11/02
					141/337
D274,208	S *	6/1984	Hildenbrand	D7/700
D325,872	S *	5/1992	Phillips	D10/1
D326,626	S *	6/1992	McKnight	D11/118
5,979,516	A *	11/1999	Grant	F01M 11/0408
					141/114
D419,330	S *	1/2000	Bjornbraten	D6/403
D429,972	S *	8/2000	Wang	D7/667
D430,460	S *	9/2000	Yu	D7/619.1
6,135,017	A *	10/2000	Wang	A23J 1/09
					99/497
D487,862	S *	3/2004	Tincher	D7/620
D496,768	S *	9/2004	Izumoto	D99/25
D524,605	S *	7/2006	Czebiniak	D7/565
7,152,837	B1 *	12/2006	Babjak	F16B 45/00
					248/304
D567,030	S *	4/2008	Goodman	D3/306
D567,038	S *	4/2008	Carallo	D7/700

(Continued)

Primary Examiner — Elizabeth A. Albert
(74) *Attorney, Agent, or Firm* — Steven Rinehart

(57) **CLAIM**

I claim the ornamental design for the planter, as shown and described.

DESCRIPTION

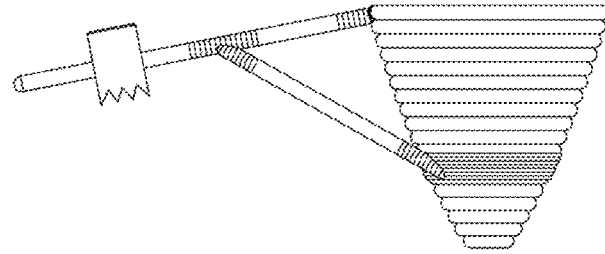
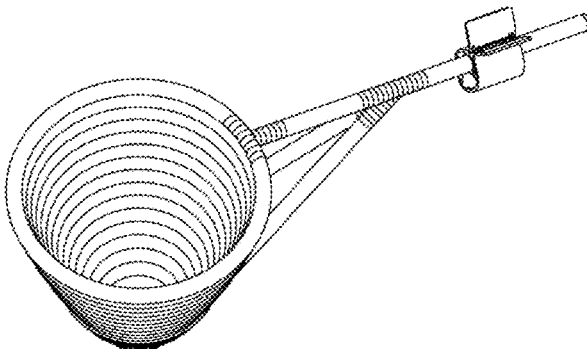
FIG. 1 is an upper perspective view of a planter showing my design;
FIG. 2 is a lower view thereof;
FIG. 3 is a top view thereof;
FIG. 4 is a bottom view thereof;
FIG. 5 is a right side view thereof;
FIG. 6 is a left side view thereof;
FIG. 7 is a rear view thereof; and,
FIG. 8 is a front view thereof.

1 Claim, 5 Drawing Sheets

(56) **References Cited**

U.S. PATENT DOCUMENTS

1,116,988	A *	11/1914	Burke	A47J 43/14
					99/497
1,649,874	A *	11/1927	Taylor	A47J 43/22
					99/499
1,667,335	A *	4/1928	Varkas	A23G 3/50
					426/390
1,945,967	A *	2/1934	Colbie	B65D 7/34
					220/669
D109,069	S *	3/1938	Matassa	D11/152
D125,058	S *	2/1941	Ratner	D11/152
2,641,299	A *	6/1953	Bloom	A47G 7/08
					156/172



(56)

References Cited

U.S. PATENT DOCUMENTS

D568,145	S	*	5/2008	Handel	D8/370
D593,383	S	*	6/2009	Pallotto	D7/700
D632,908	S	*	2/2011	Tincher	D6/513
D649,709	S	*	11/2011	Loman	D27/183
D685,290	S	*	7/2013	Silvera	D11/148
D775,425	S	*	12/2016	Petrucelli	D28/73
D820,721	S	*	6/2018	Wang	D11/143
D831,534	S	*	10/2018	Wang	D11/152
D841,141	S	*	2/2019	Neigut	D23/342

* cited by examiner

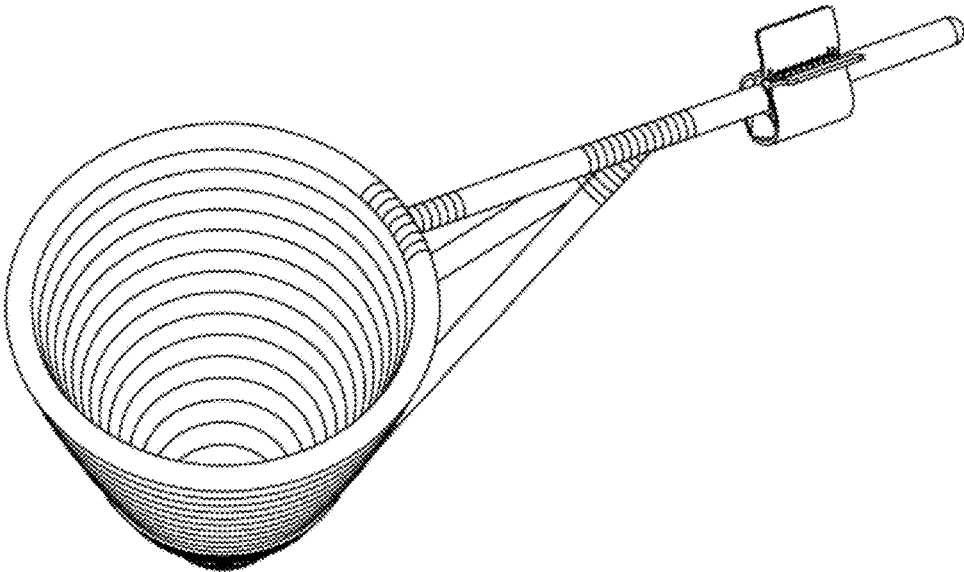


FIG. 1

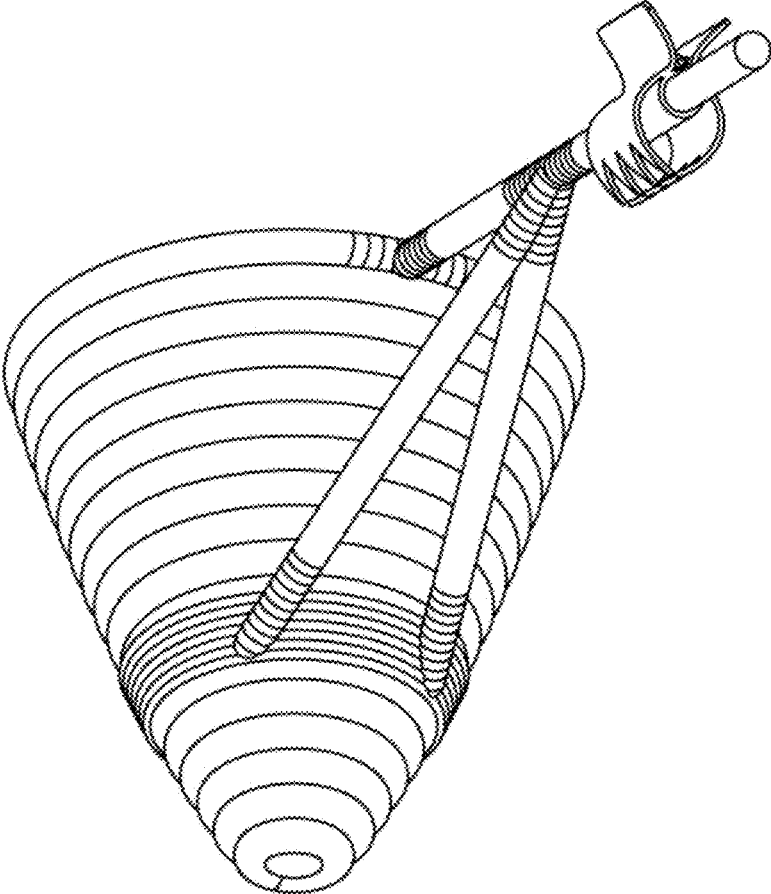


FIG. 2

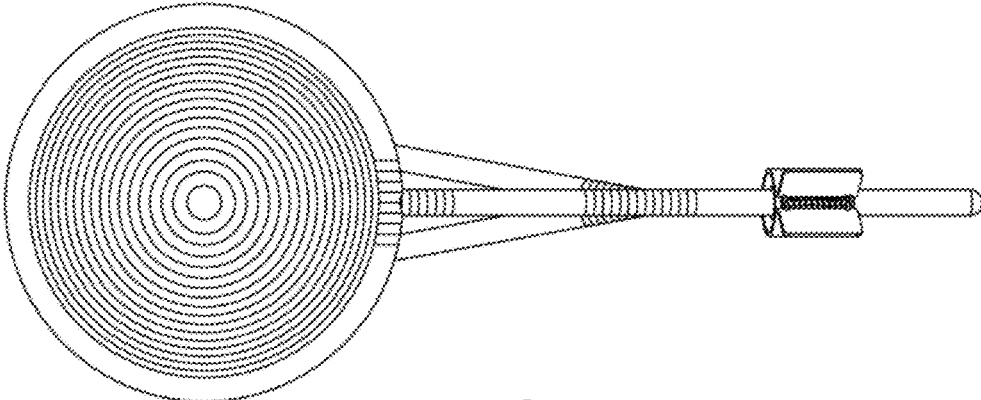


FIG. 3

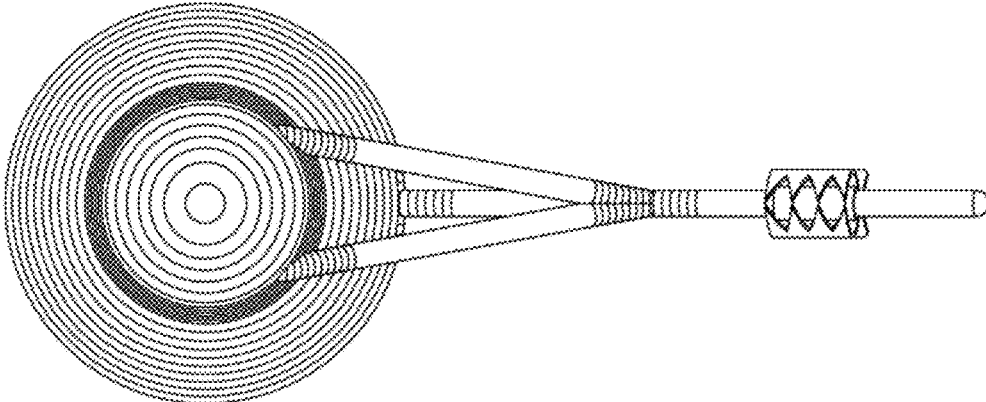


FIG. 4

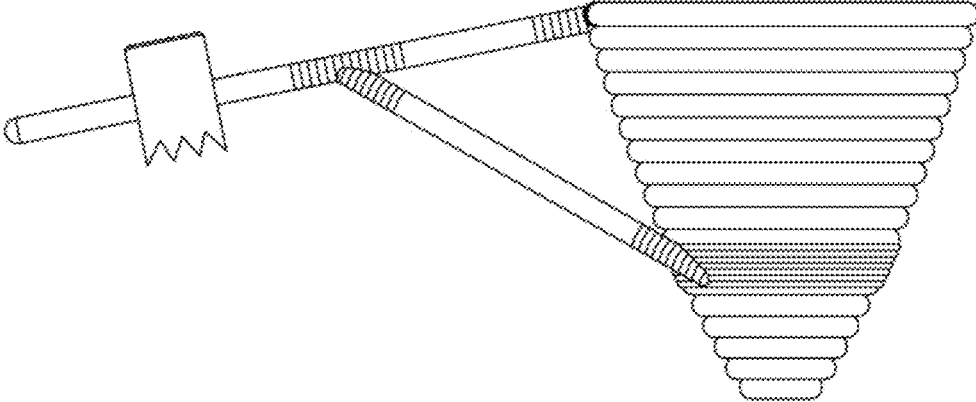


FIG. 5

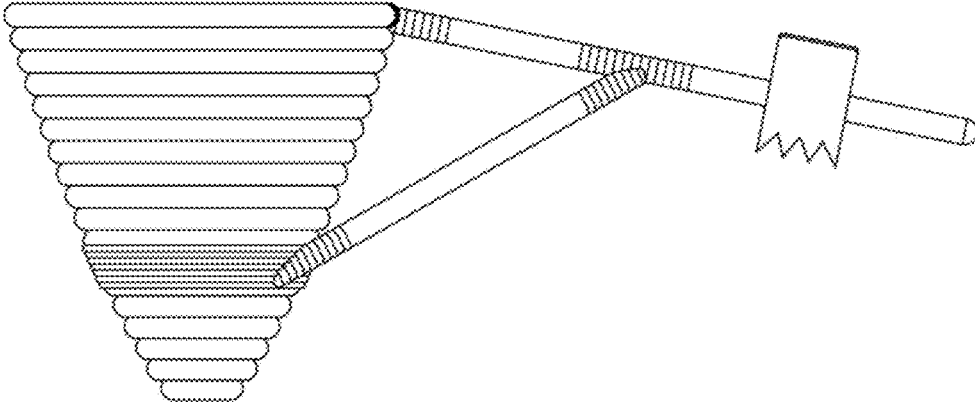


FIG. 6

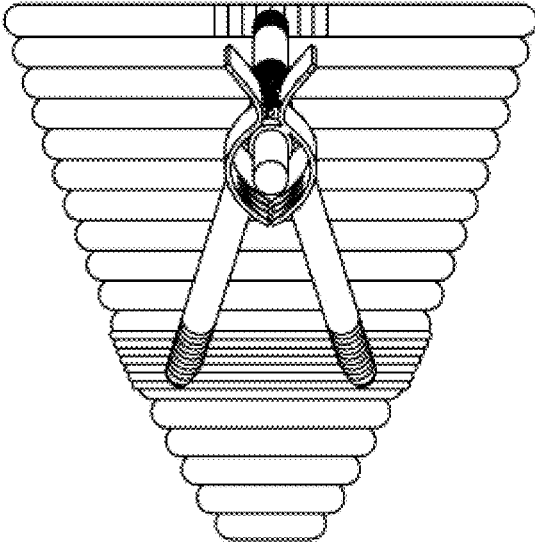


FIG. 7

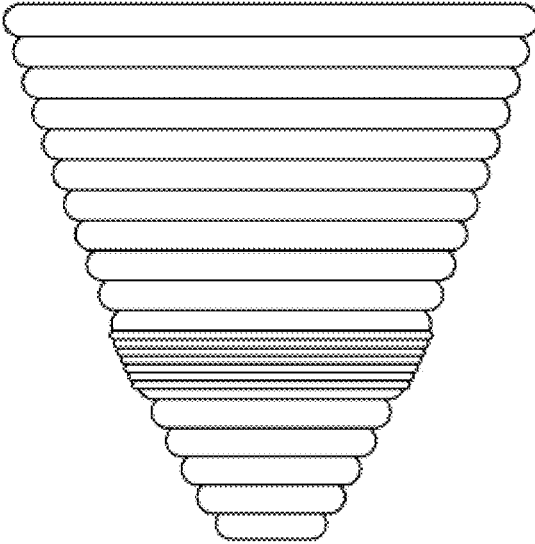


FIG. 8