



(12) **United States Design Patent**
DiSisto

(10) **Patent No.:** **US D929,059 S**
(45) **Date of Patent:** **** Aug. 24, 2021**

- (54) **BUCKET-SCRAPING APPARATUS**
- (71) Applicant: **Vincent DiSisto**, Beverton, OR (US)
- (72) Inventor: **Vincent DiSisto**, Beverton, OR (US)
- (**) Term: **15 Years**
- (21) Appl. No.: **29/671,471**
- (22) Filed: **Nov. 27, 2018**
- (51) **LOC (13) CL.** **07-05**
- (52) **U.S. CL.**
USPC **D32/46**
- (58) **Field of Classification Search**
USPC D32/41, 46, 68
CPC ... A47L 11/40; A47L 1/08; A47L 1/00; A47L
13/12; A47L 13/10; B44D 3/16; B67D
1/1238; E02F 3/40
See application file for complete search history.

D602,219	S *	10/2009	Bailey	D32/49
7,624,522	B1 *	12/2009	Ammons	E02F 3/4075 37/444
D705,511	S *	5/2014	Jacobsen	D32/46
8,756,747	B2 *	6/2014	Rolph	A47L 1/16 15/236.02
D841,271	S *	2/2019	Motsenbocker	D32/46
10,750,926	B2 *	8/2020	Montalbano	B08B 9/0808
2007/0031810	A1 *	2/2007	Hoch	B43K 8/003 434/408
2019/0053684	A1 *	2/2019	Cassar	A47L 13/42
2019/0232636	A1 *	8/2019	Hoffman, Jr.	B41F 15/44

FOREIGN PATENT DOCUMENTS

CN 304508373 * 2/2018

OTHER PUBLICATIONS

The Bucket Scoop, website 2010, <http://www.bucketsscoop.com/pages/sidewinder.html>, site visited May 17, 2021.*

* cited by examiner

Primary Examiner — John R Yeh
(74) *Attorney, Agent, or Firm* — Steven Rinehart

(56) **References Cited**
U.S. PATENT DOCUMENTS

D35,006	S *	8/1901	White	D23/411
2,121,307	A *	6/1938	Swift	15/104.001
2,838,780	A *	6/1958	Kean	B44D 3/162 15/104.13
D243,382	S *	2/1977	Mox	D32/46
D298,926	S *	12/1988	Rusnak	D12/220
D312,155	S *	11/1990	Saunders	D32/46
D328,807	S *	8/1992	Millar	D32/41
D332,331	S *	1/1993	Hansen	D32/41
D345,887	S *	4/1994	Heiberg	D32/46
D357,563	S *	4/1995	Vosbikian	D32/41
D357,850	S *	5/1995	Walsh	D32/41
D370,611	S *	6/1996	Frick	D15/139
D371,656	S *	7/1996	Mason, III	D32/41
5,680,668	A *	10/1997	Kim	A47L 1/16 15/236.02

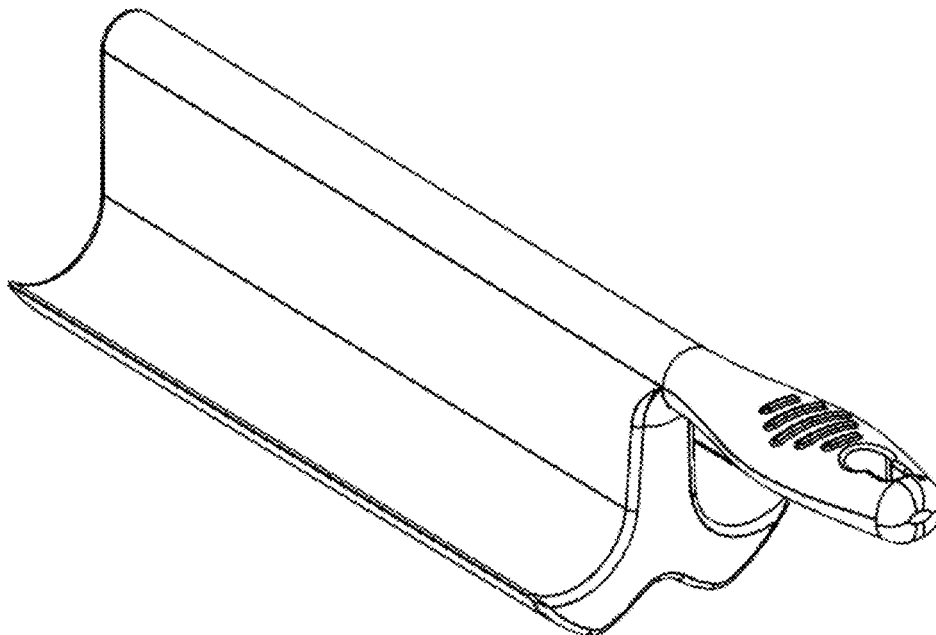
(57) **CLAIM**

I claim the ornamental design for the bucket-scraping apparatus, as shown and described.

DESCRIPTION

FIG. 1 illustrates a rearward side perspective view of my design for a bucket scraping apparatus;
FIG. 2 illustrates a top perspective view thereof;
FIG. 3 illustrates a bottom perspective view thereof;
FIG. 4 illustrates a rearward elevation view thereof; and,
FIG. 5 illustrates a forward elevation view thereof.

1 Claim, 3 Drawing Sheets



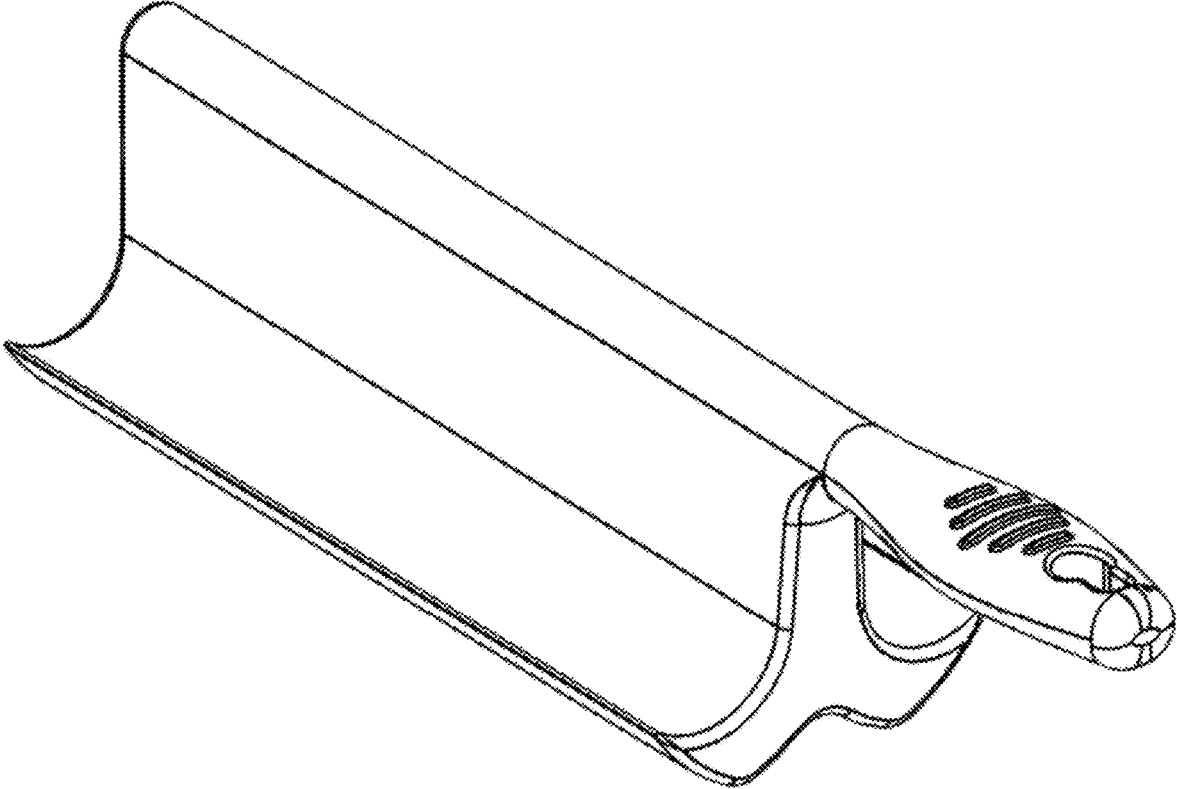


FIG. 1

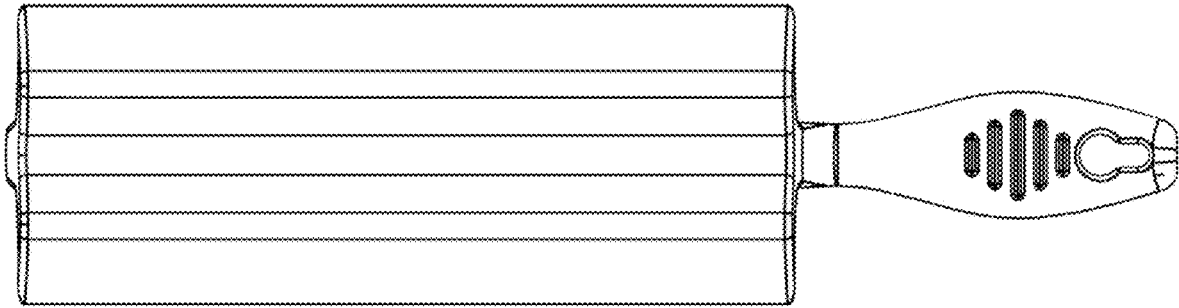


FIG. 2

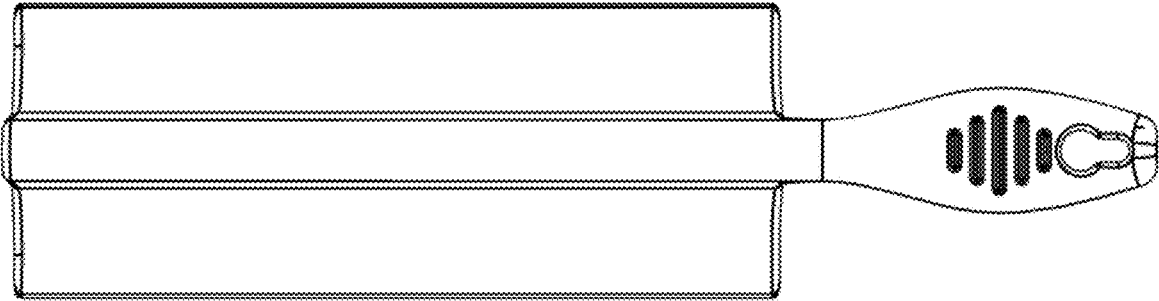


FIG. 3

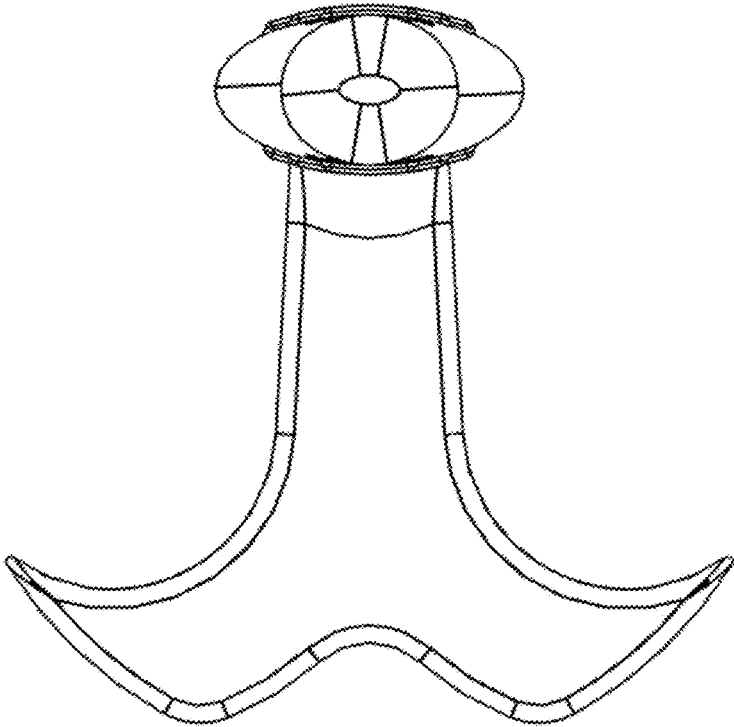


FIG. 4

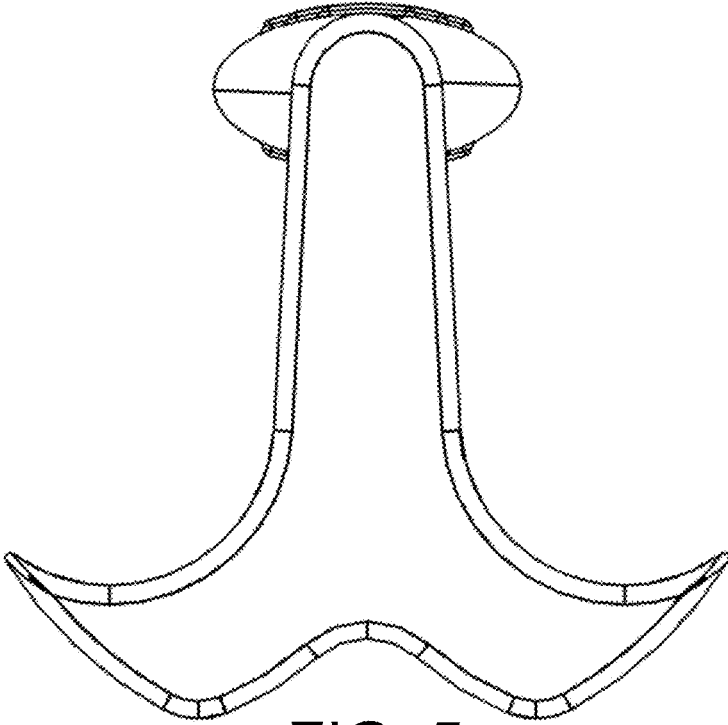


FIG. 5