



US00D914912S

(12) **United States Design Patent**
Barker

(10) **Patent No.:** **US D914,912 S**

(45) **Date of Patent:** **** Mar. 30, 2021**

(54) **LADDER WITH HINGED RUNGS
OPERABLE TO COLLAPSE ON MULTIPLE
AXES**

9,016,434 B2 * 4/2015 Moss E06C 7/182
182/106
9,797,194 B2 * 10/2017 Moss E06C 7/423
2004/0129497 A1 * 7/2004 Weiss E06C 1/32
182/163
2005/0274571 A1 * 12/2005 Simpson E06C 7/083
182/23

(71) Applicant: **Jeremy Barker**, Morgan, UT (US)

(72) Inventor: **Jeremy Barker**, Morgan, UT (US)

(**) Term: **15 Years**

* cited by examiner

(21) Appl. No.: **29/688,205**

Primary Examiner — Gino Colan

(74) *Attorney, Agent, or Firm* — Steven Rinehart

(22) Filed: **Apr. 18, 2019**

(51) **LOC (13) Cl.** **25-04**

(52) **U.S. Cl.**
USPC **D25/65**

(57) **CLAIM**

The ornamental design for a ladder with hinged rungs operable to collapse on multiple axes, as shown and described.

(58) **Field of Classification Search**

USPC D25/62–65, 68, 69; 248/210; 182/165,
182/22, 180.1, 124, 115, 173, 23, 106,
182/207, 163
CPC E06C 1/393; E06C 1/18; E06C 1/39
See application file for complete search history.

DESCRIPTION

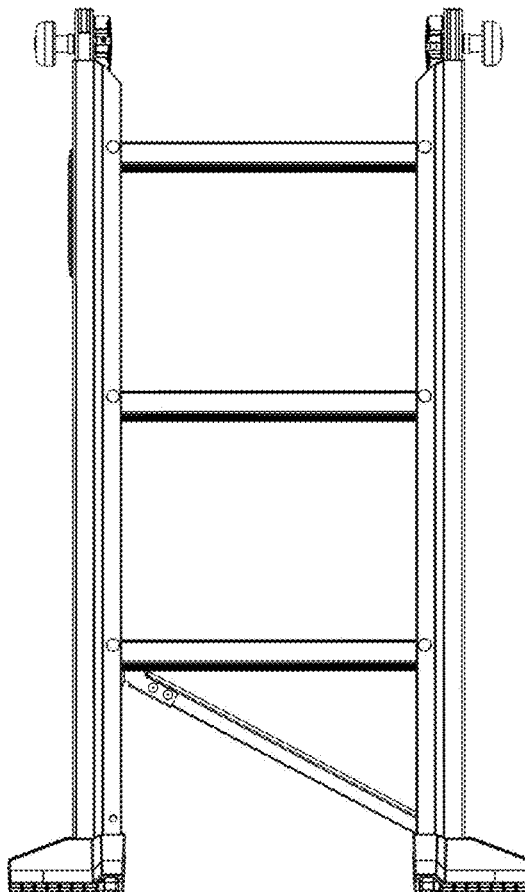
FIG. 1 is a front view of a ladder with hinged rungs operable to collapse on multiple axes showing my design;
FIG. 2 a top view thereof;
FIG. 3 a bottom view thereof;
FIG. 4 a rear view thereof;
FIG. 5 a rear right perspective view thereof;
FIG. 6 a rear left perspective view thereof;
FIG. 7 a right view thereof; and,
FIG. 8 a left view thereof.

(56) **References Cited**

U.S. PATENT DOCUMENTS

4,376,470 A * 3/1983 Ashton E06C 1/22
182/207
D576,291 S * 9/2008 Latimer D25/65

1 Claim, 8 Drawing Sheets



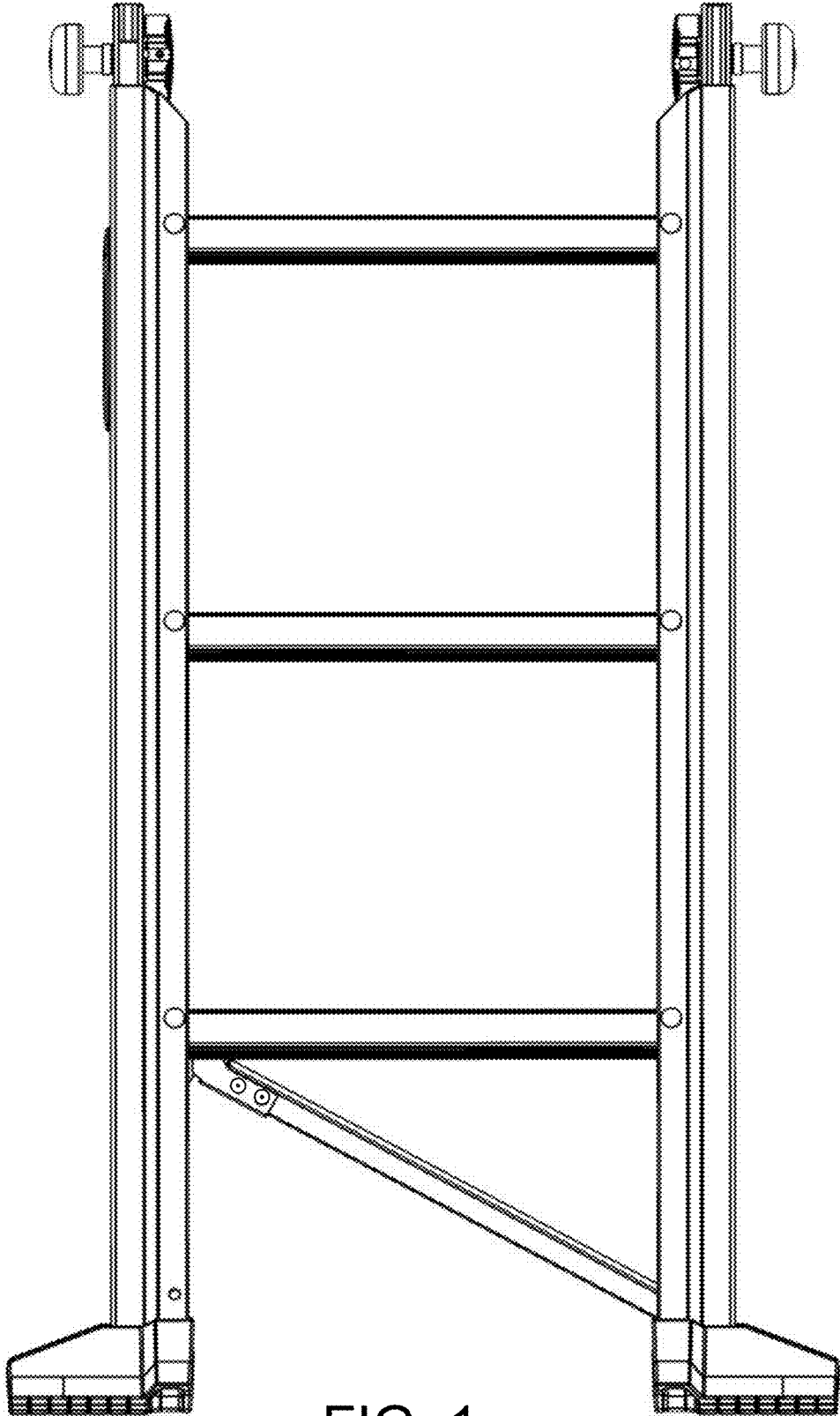


FIG. 1

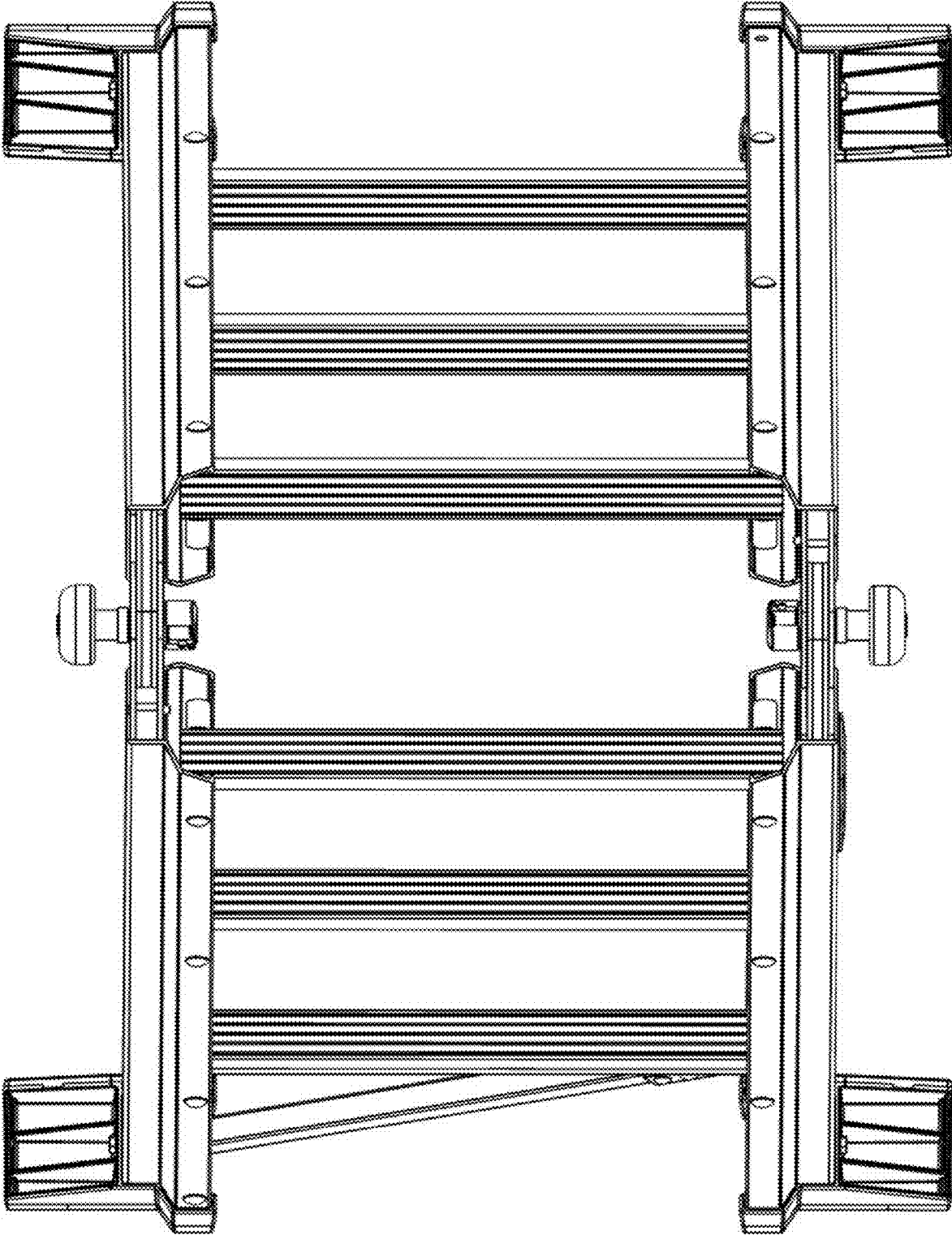


FIG. 2

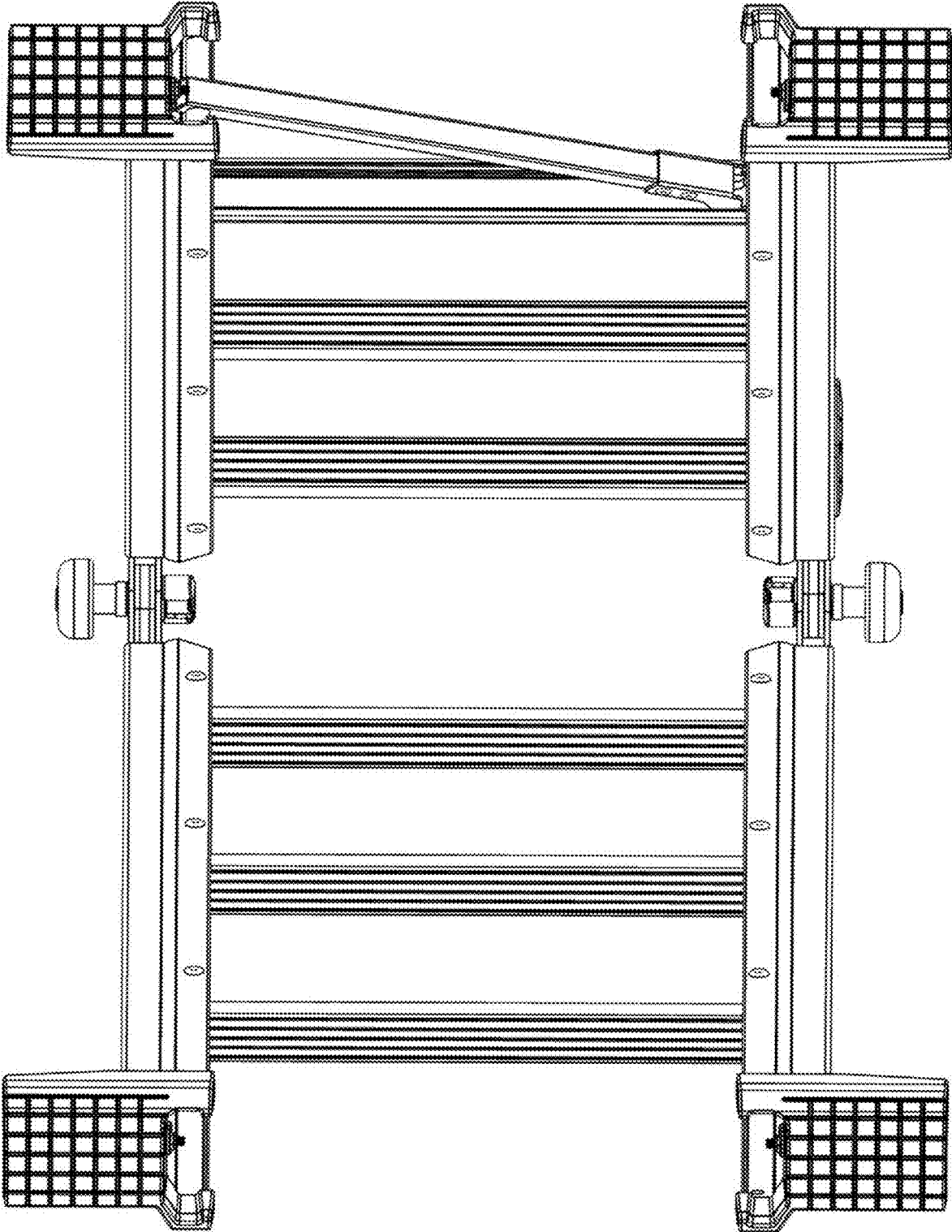


FIG. 3

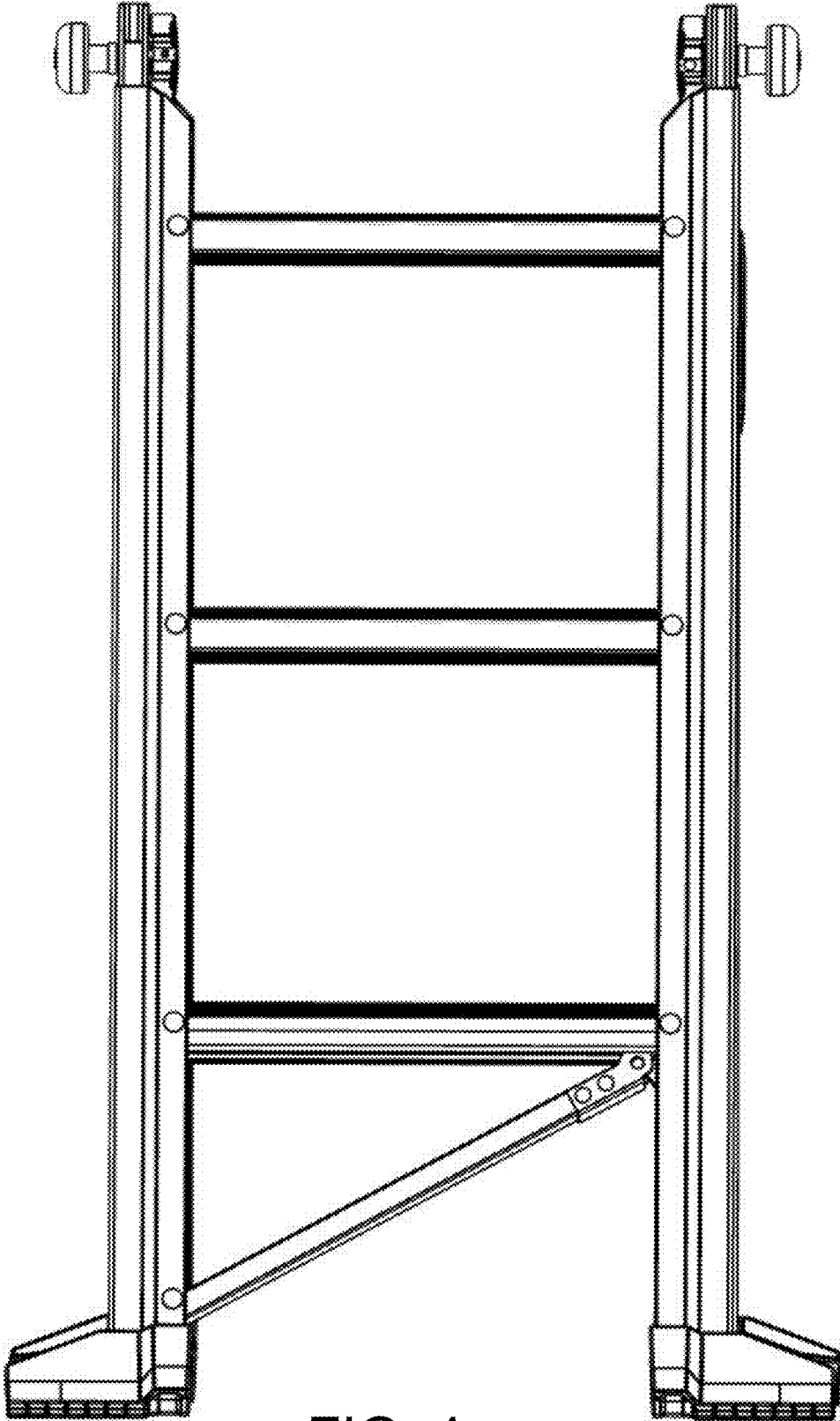


FIG. 4

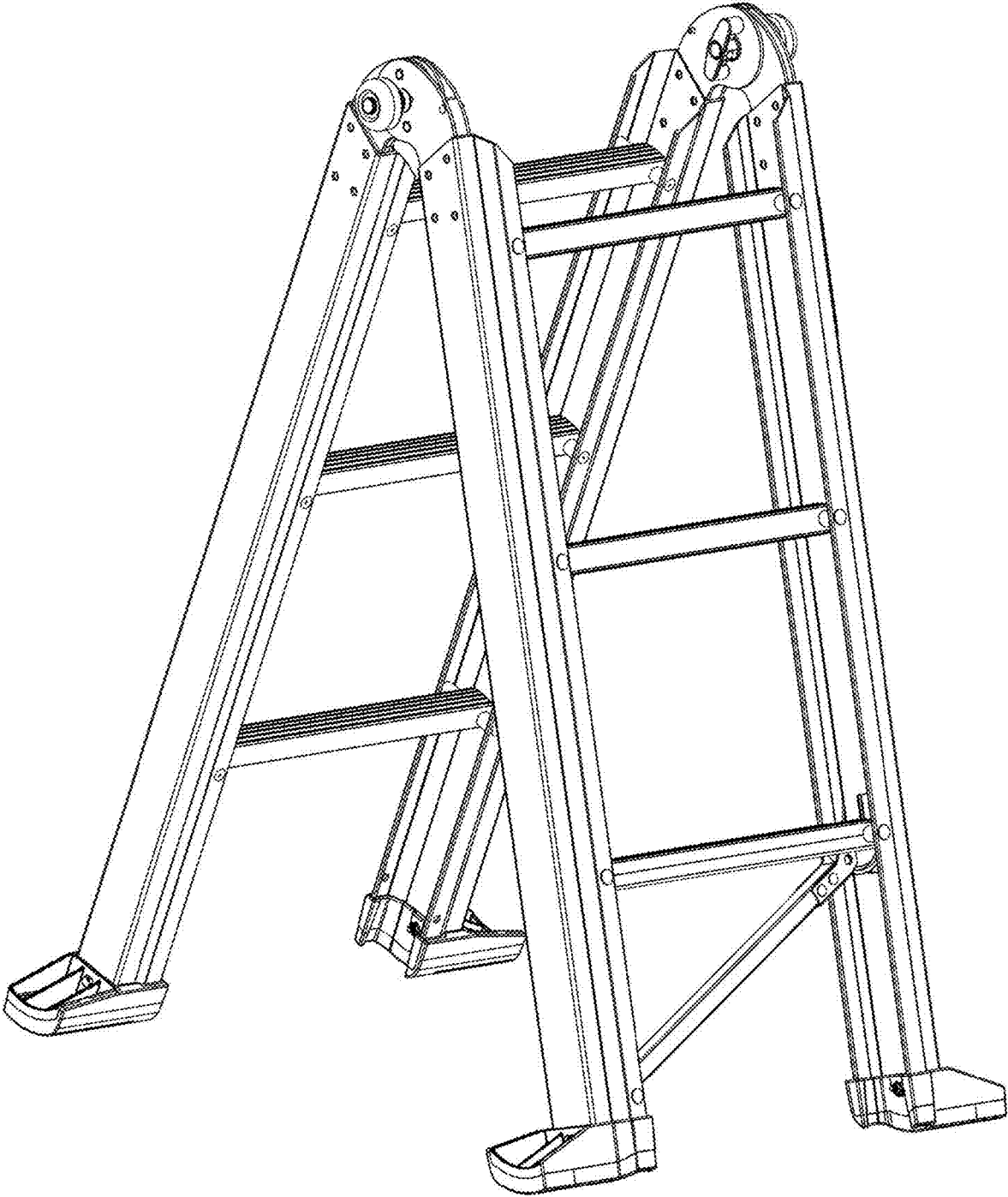


FIG. 5

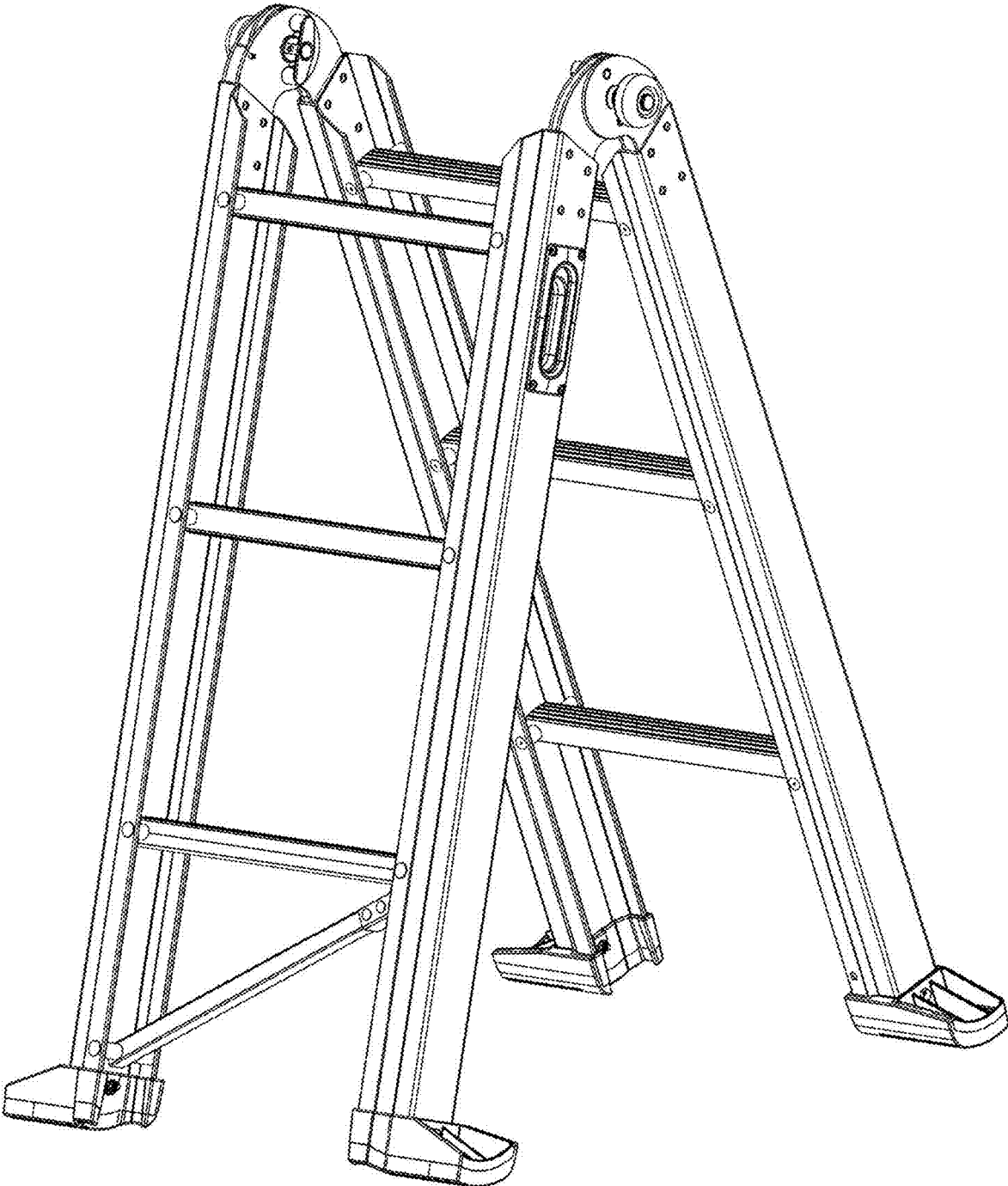


FIG. 6

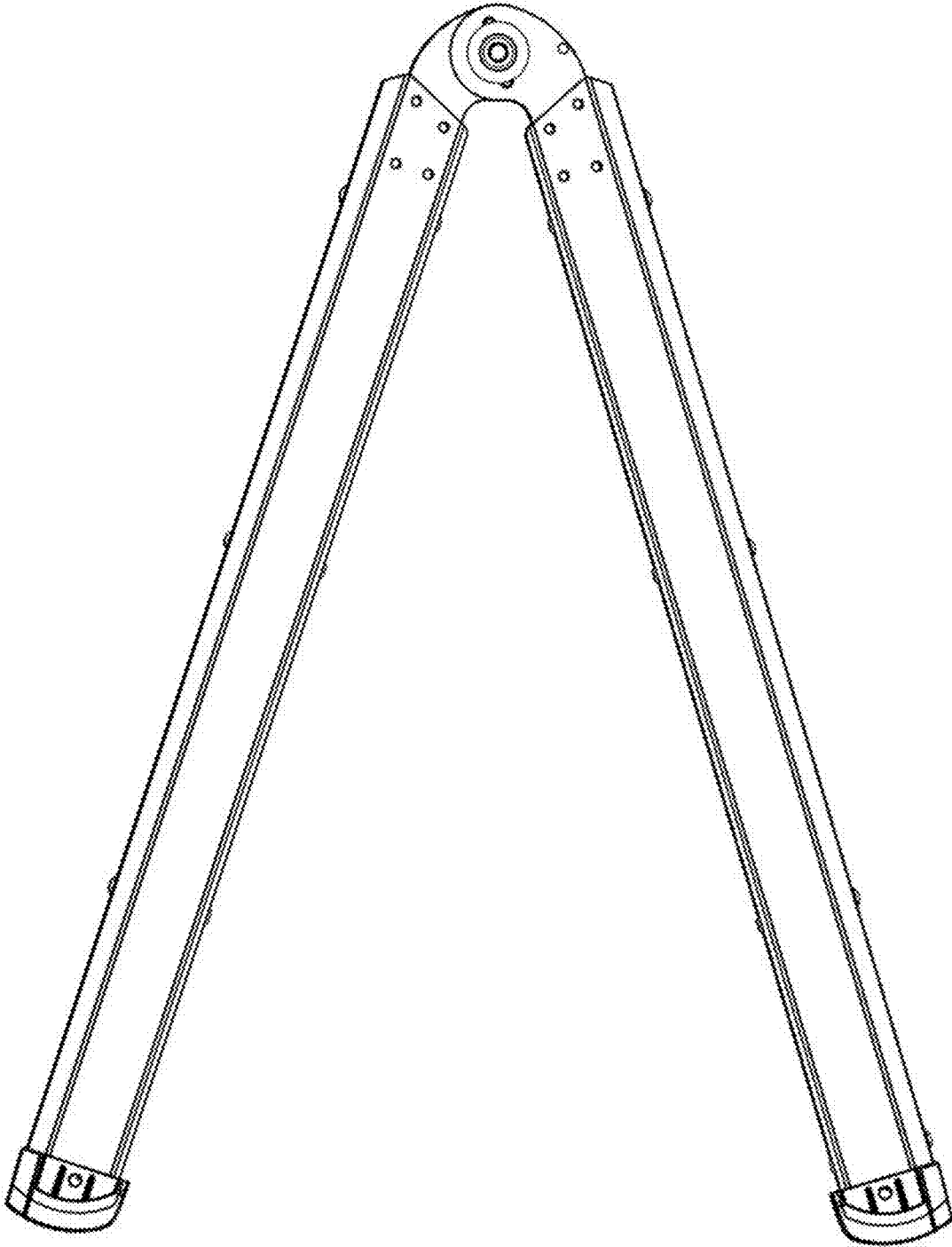


FIG. 7

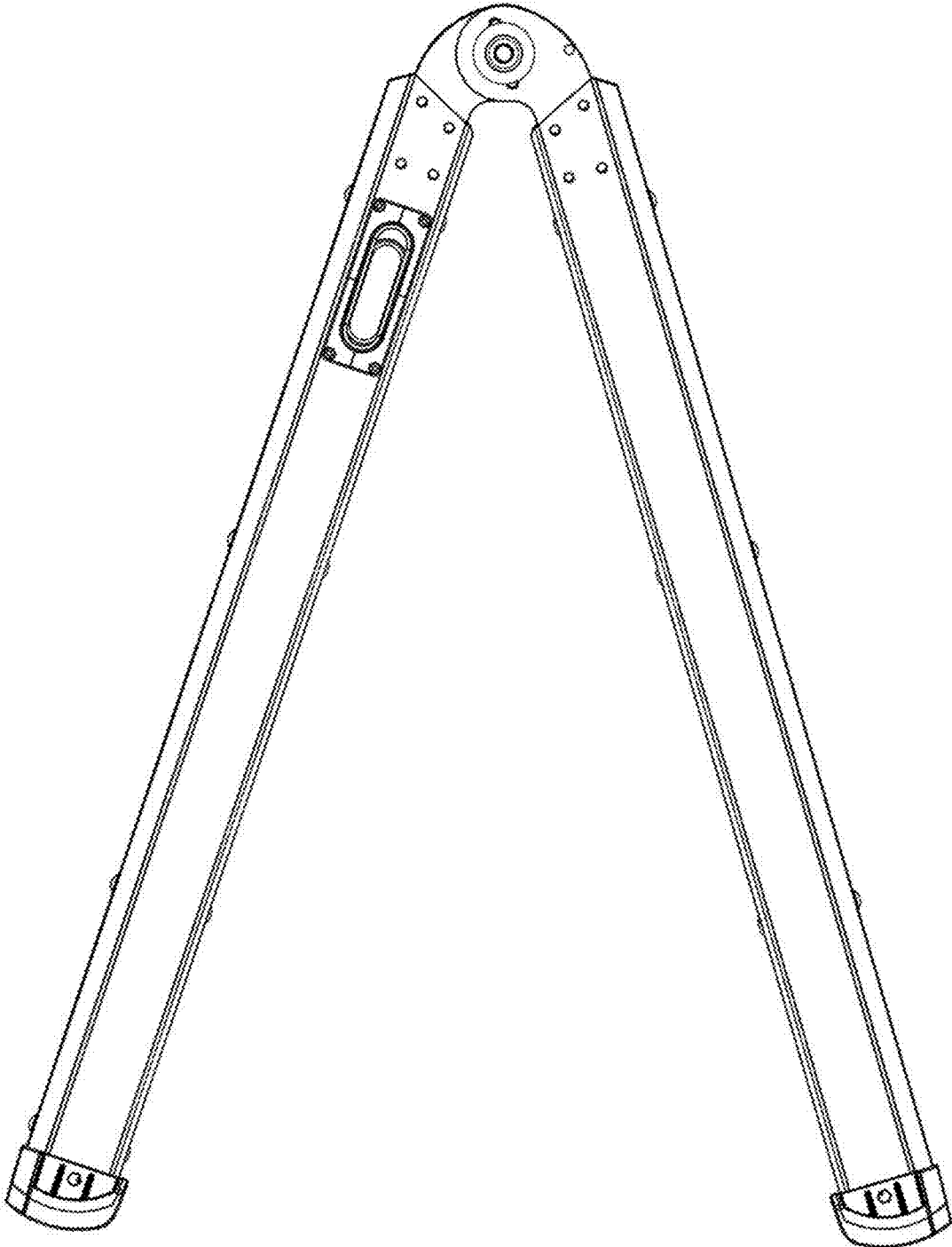


FIG. 8