



US00D910958S

(12) **United States Design Patent** (10) **Patent No.:** **US D910,958 S**  
**Hokanson** (45) **Date of Patent:** **\*\* Feb. 16, 2021**

(54) **CANTILEVER RACK WITH BACKSET BRACES**

(71) Applicant: **Craig Richard Hokanson**, Clearfield, UT (US)

(72) Inventor: **Craig Richard Hokanson**, Clearfield, UT (US)

(\*\*) Term: **15 Years**

(21) Appl. No.: **29/683,343**

(22) Filed: **Mar. 12, 2019**

(51) **LOC (13) Cl.** ..... **12-05**

(52) **U.S. Cl.**  
USPC ..... **D34/28**

(58) **Field of Classification Search**  
USPC ..... D34/28, 29, 30, 31, 32, 33, 34, 35, 36, D34/37, 38; D25/119, 120, 122, 123, D25/124, 125, 126; D8/349, 354, 373, D8/377  
CPC ..... A47B 57/52; A47B 47/022; A47B 47/028; A47B 47/021; A47B 96/00; A47B 96/061; A47B 96/777; A47F 5/10

See application file for complete search history.

(56) **References Cited**

**U.S. PATENT DOCUMENTS**

4,065,089	A *	12/1977	Frazier	.....	A47B 57/565 248/245
4,426,011	A *	1/1984	Jay	.....	A47B 57/44 211/182
4,708,252	A *	11/1987	Azzi	.....	A47B 57/04 108/108
4,955,489	A *	9/1990	Allen	.....	B65G 1/026 211/151
5,310,066	A *	5/1994	Konstant	.....	A47B 47/022 108/109
5,894,946	A *	4/1999	Darnell	.....	A47B 57/18 211/183

9,167,896	B1 *	10/2015	Wu	.....	A47B 57/40
D793,023	S *	7/2017	Kueck	.....	D34/28
9,708,122	B1 *	7/2017	Johncox	.....	B65G 1/02
D793,647	S *	8/2017	Kueck	.....	D34/28
D888,851	S *	6/2020	Dunahay	.....	D21/686
2008/0053928	A1 *	3/2008	Klauer	.....	A47B 47/021 211/49.1
2009/0057243	A1 *	3/2009	Klauer	.....	A47F 5/0018 211/1

**OTHER PUBLICATIONS**

Auger Rack SSBR-8, announced 2020 [online], [site visited Oct. 19, 2020]. Available from internet, URL: <https://augerrack.com/ssbr-8> (Year: 2020).\*

(Continued)

*Primary Examiner* — George A Bugg  
*Assistant Examiner* — Tamara L Hahn  
(74) *Attorney, Agent, or Firm* — Steven Rinehart

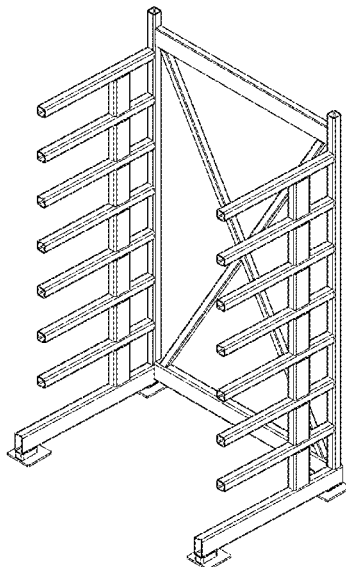
(57) **CLAIM**

The ornamental design for a cantilever rack with backset braces, as shown and described.

**DESCRIPTION**

FIG. 1 is a perspective view of a cantilever rack with backset braces;  
FIG. 2 is a perspective view thereof; shown in use with environment.  
FIG. 3 is a front end view thereof;  
FIG. 4 is a left side view thereof;  
FIG. 5 is a right side view thereof;  
FIG. 6 is a top plan view thereof; and,  
FIG. 7 is a rear-end view.  
The broken lines in the drawings are for the purpose of illustrating the environment of a cantilever rack with backset braces only and form no part of the claimed design.

**1 Claim, 7 Drawing Sheets**



(56)

**References Cited**

OTHER PUBLICATIONS

Jarke Cantilever, announced 2020 [online], [site visited Oct. 19, 2020]. Available from internet, URL: <https://www.grainger.com/product/8NK01?gucid=N:N:FPL:Free:GGL:CSM-1946:tew63h3:20501231> (Year: 2020).\*

Home Dept, announced 2020 [online], [site visited Oct. 19, 2020]. Available from internet, URL: <https://www.homedepot.com/p/Vestil-72-in-x-36-in-Single-Sided-Heavy-Duty-Cantilever-Starter-Unit-HU-C-8-36-SET/303209910> (Year: 2020).\*

\* cited by examiner

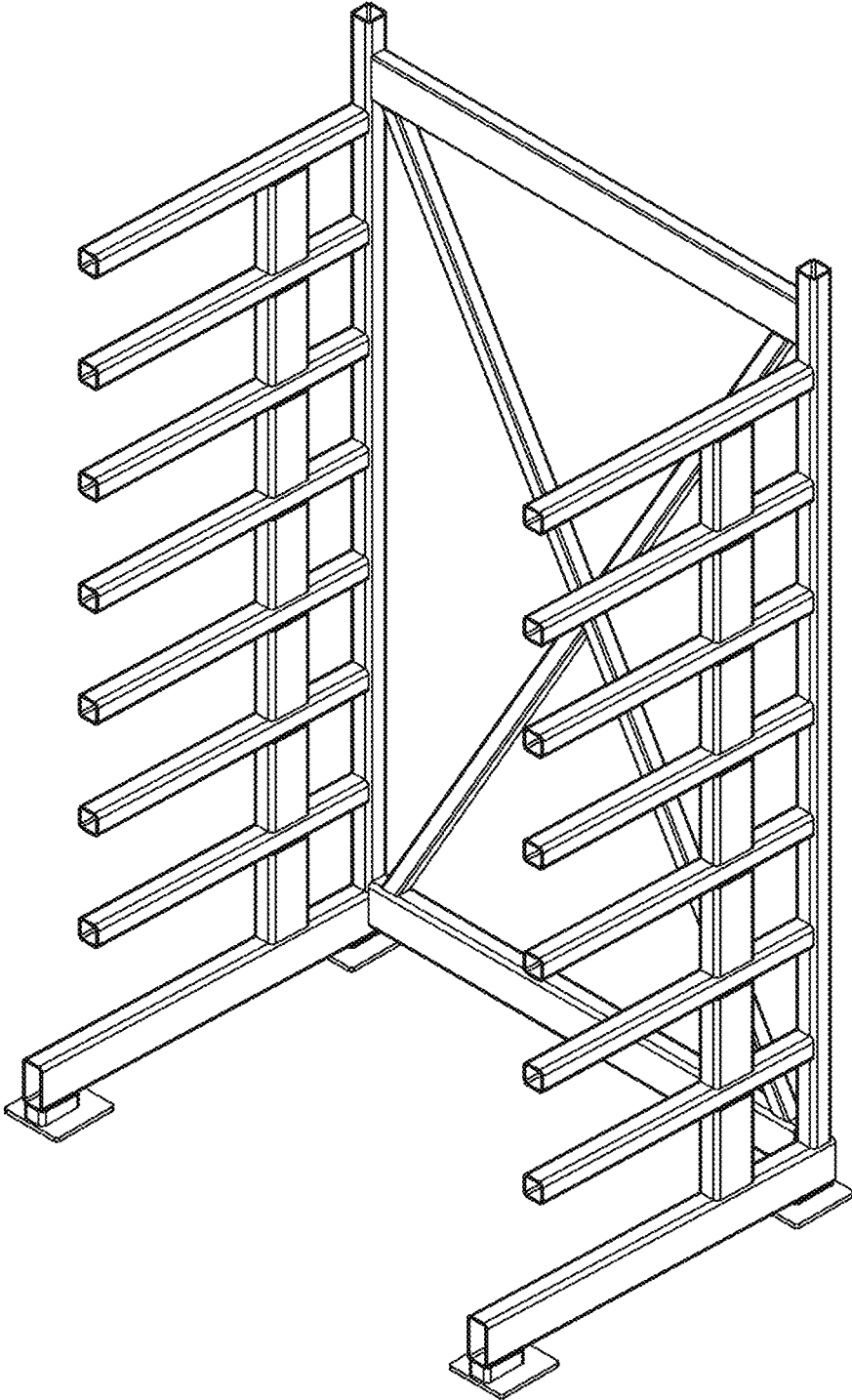


FIG. 1

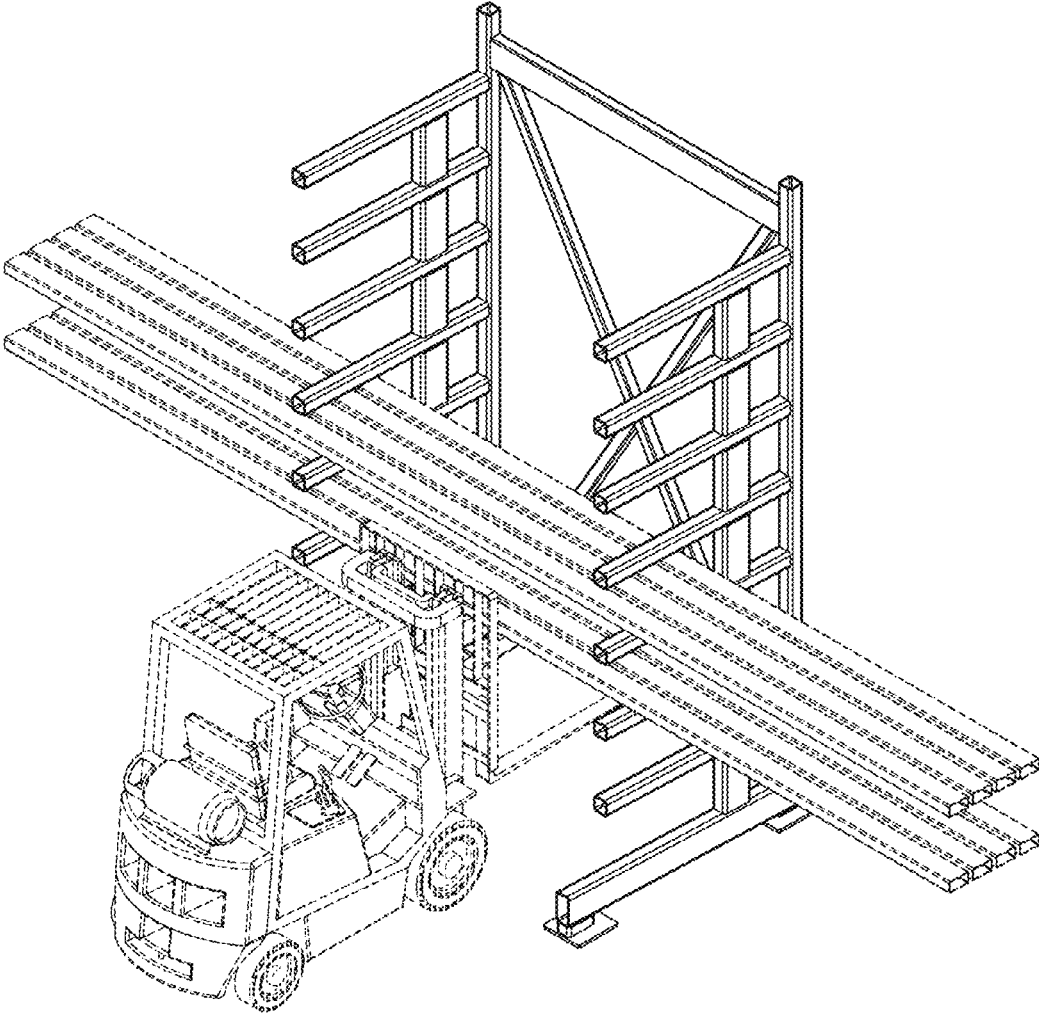


FIG. 2

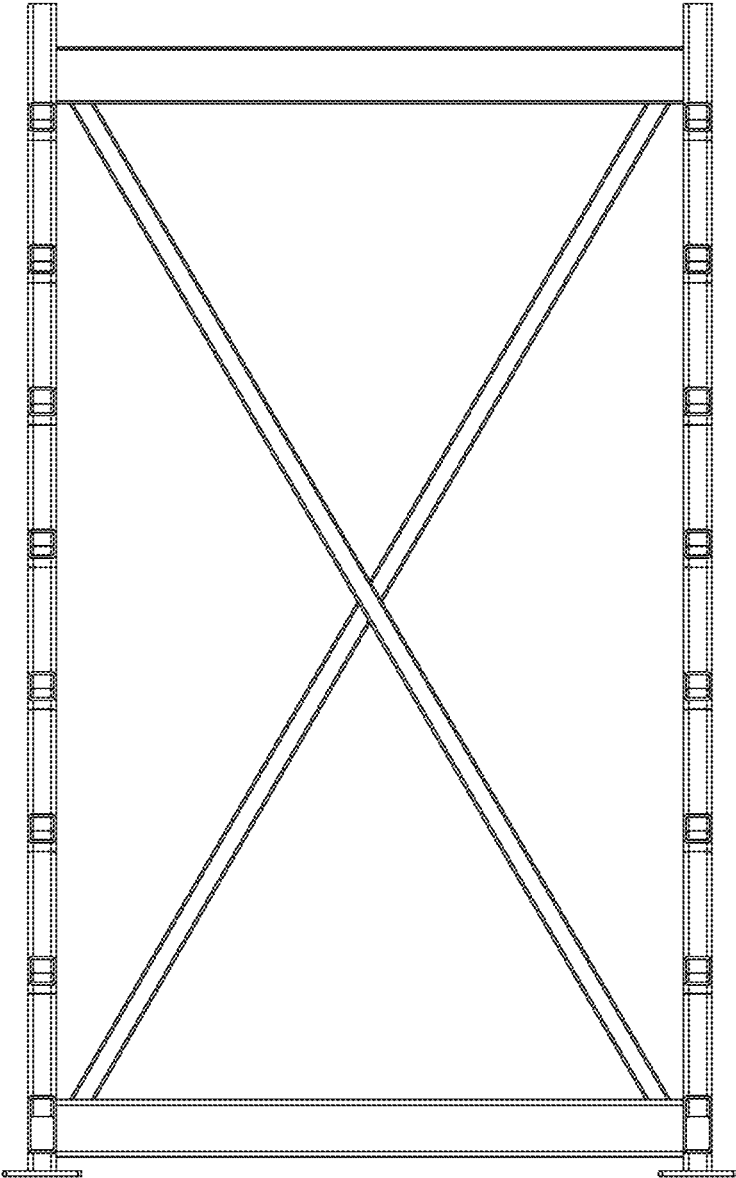


FIG. 3

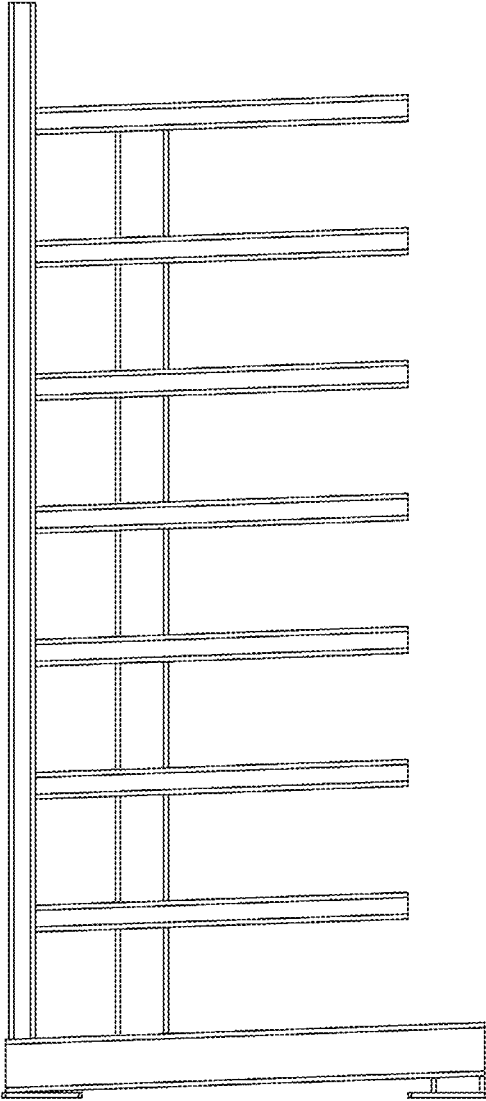


FIG. 4

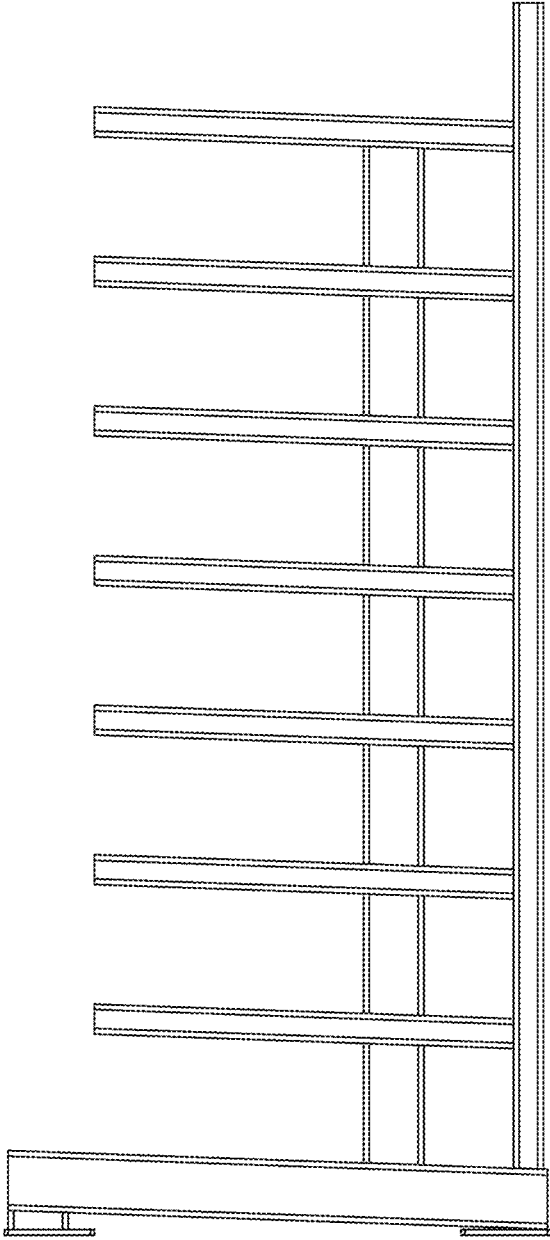


FIG. 5

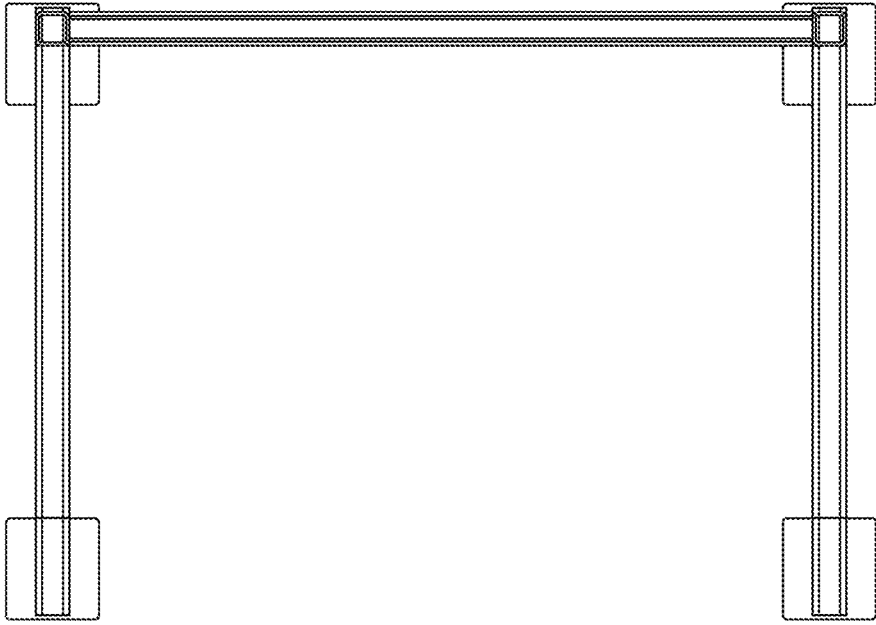


FIG. 6



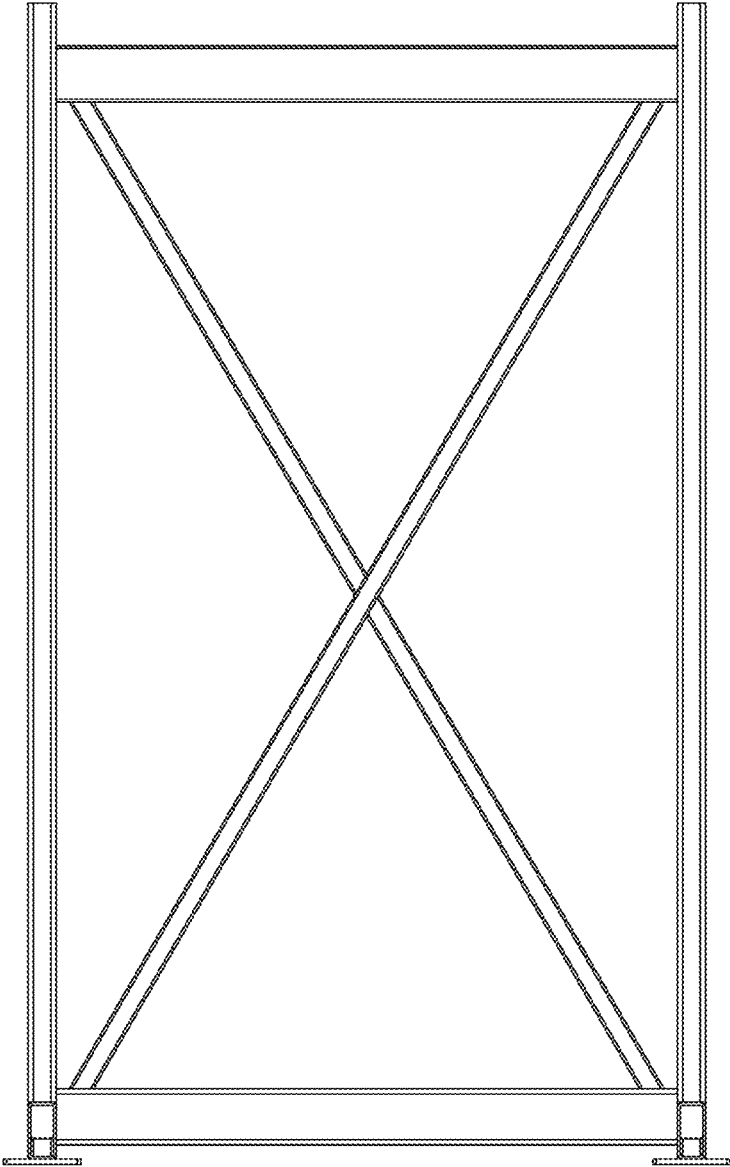


FIG. 7